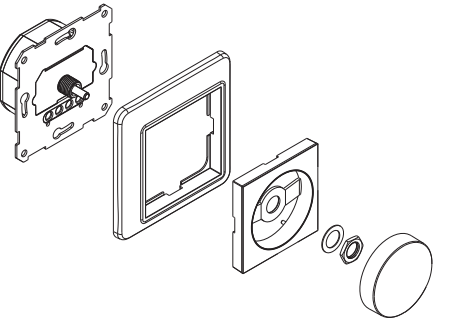




# User Manual

## Futurehome Smart LED Dimmer

Works with DIMMABLE LED, CFL, Incandescent, and Halogen bulbs



Model No.	Futurehome Smart LED Dimmer
Rated Voltage	220-240V, 50Hz
Rated Wattage	250W
Load Range	Incandescent: 15W-250W
	LED/CFL: 3W-250W
Dimming type	Phase-cut
Working Temperature	Temperature: 0°C-35°C
	Humidity: 10% R.H.-90% R.H.
Model Size	71 mm x 71 mm x 41mm (LxWxH)

### 1 WARNINGS AND CAUTIONS

**1.1** Risk of fire and electrical shock. Products should be installed by certified installer in accordance with appropriate electrical codes and regulations.

**1.2** This dimmer should be protected by maximum 16A RCBO.

**1.3** Before installation, turn power off at circuit breaker or fuse, and test to confirm that power is off.

**1.4** After installing the dimmer, set the minimum brightness level to make bulbs turn on immediately.

**1.5** If you are unsure about any of these instructions, consult an electrician.

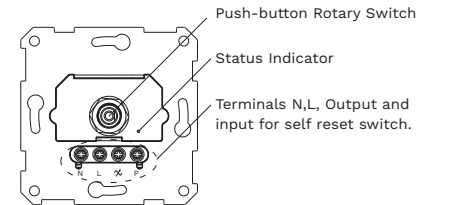
**1.6** To reduce the risk of overheating and possible damage to other equipment, do not install to control a receptacle, a motor-operated appliance, or a transformer-supplied appliance.

**1.7** Use compatible dimmable LED, CFL, incandescent, or halogen fixtures only.

**1.8** DO NOT mix bulb types when multiple bulbs are using one dimmer. All bulbs must be either LED, CFL or incandescent. Using the same model of each bulb will enhance dimmer performance.

**1.9** This product conforms to EN60669-2-1.

### 2 FUNCTIONAL INSTRUCTIONS



#### 2.1 STATUS INDICATOR

Green flashing light: Enter the ZigBee network pairing mode.

#### 2.2 INPUT AND OUTPUT TERMINAL

- N: Input terminal (Connect to the neutral wire "N").
- L: Output terminal (Connect to the live wire "L").
- X: Output terminal (Connect to the load).
- P: Signal input terminal (Connect the self - reset switch - output terminal).

#### 2.3 PUSH-BUTTON ROTARY SWITCH

- **Turn on:** Short press the switch once when turned OFF.
- **Turn off:** Short press the switch once when turned ON.
- **Dimming:** Turn the switch clockwise to increase the brightness, or counterclockwise to decrease the brightness. When the lamp is turned ON, long press the self-reset switch to adjust the brightness of the lamp. After releasing the switch, long press again to change the dimming direction.
- **Quick-Set to Max. Brightness:** Short press the switch twice.
- **Set the Startup Brightness.** When turned ON, short press the switch five times and the indicator light will flash once. If the brightness level is lower than the startup brightness level when turned OFF, the startup brightness level will be used when turned ON next time. Otherwise, the brightness level when turned OFF will be used.

#### 3 SELF-RESET SWITCH

- **Short press:** Within 0.5s
- **Long press:** Over 0.5s
- **Repeated short press:** Interval between two short press is < 1 sec.

#### 4 TOOLS REQUIRED FOR INSTALLATION

- Ø5mm Screwdriver
- Pliers

#### 5 INSTALLATION

**WARNING: To avoid fire and electrical shock, TURN OFF POWER at circuit breaker or fuse and test that power is off before wiring.**

#### 1. Set your smart home App in pairing mode.

#### 2. Ensure the light is ON

#### 3. Short press the rotary switch seven times until the status indicator light flashes.

#### 4. The dimmer will appear as new device in your App

#### 5. During the pairing process, the lights may flash. If the pairing succeeds or exits, the lights will return to normal.

Please note that the pairing mode will exit after 3 minutes if not connected successfully.

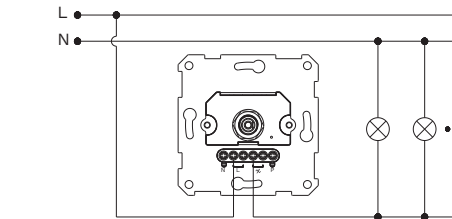
- **Clear the Min. or Max. Brightness:** When turned ON, short press the rotary switch nine times. The status indicator will flash green five times.
- **Restore Factory Settings:** Short press rotary switch ten times to restore factory settings. The load light will flash once and the device will enter distribution mode, showing a blinking green light.

- Performing the installation based on actual application conditions (5.3a.1 or 5.3b.1). The area of the connected wire core is 1.5mm<sup>2</sup>-2.5mm<sup>2</sup> solid (PR) and flex (PN) copper wires. Stripping length 9mm.
- **Typical wiring application**

**Power Supply:** 2 wire without neutral  
3 wire with neutral  
(Certain application may require neutral)

#### 5.a.1 Live wire connection

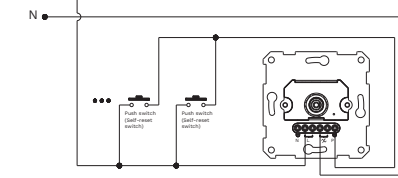
#### 5.3a.1 1-way



#### 5.3a.2 Multi-way

#### 5.3a.2 Wiring diagram connected with self-reset switch

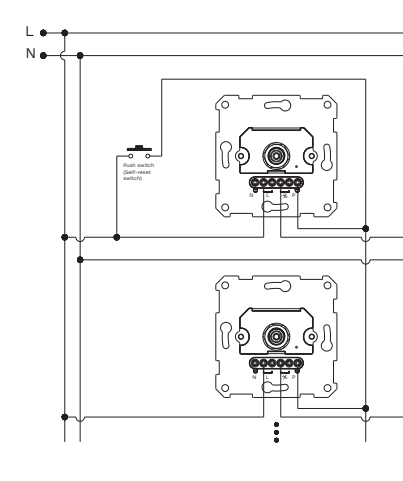
#### 5.3a.2.1 Multiple self-reset switches control one dimmer



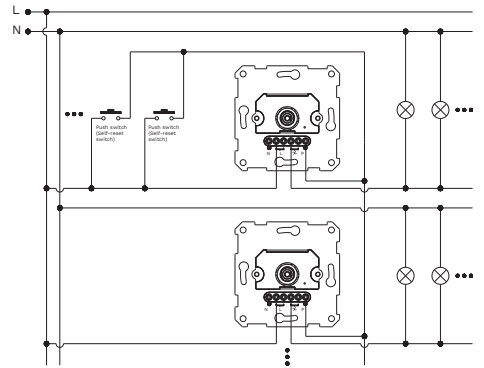
#### Note:

- The dimmer must always be connected to the live side of the load to function properly.
- Multiple self-resetting switches can simultaneously control the up/down brightness and on/off functions of twenty dimmers.
- Dimmers cannot be connected in parallel or in series in order to control the same load at two different locations

#### 5.3a.2.2 One self-reset switch controls multiple dimmers

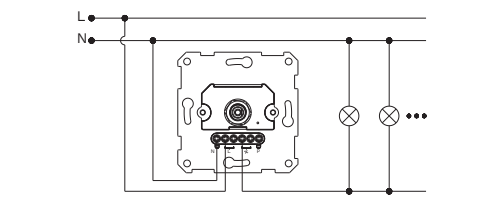


**5.3a.2.3 Multiple self-reset switches control multiple dimmers**



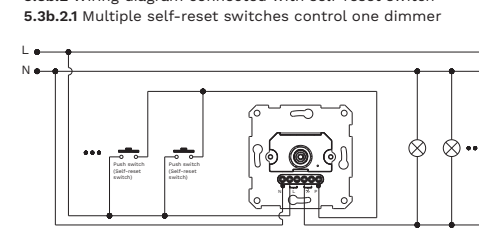
**5.3b.1 Neutral and live wire connection**

**5.3b.1 1-way**

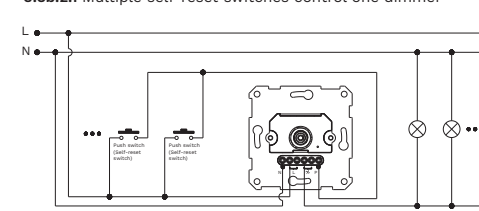


**5.3b.2 Multi-way**

**5.3b.2 Wiring diagram connected with self-reset switch**



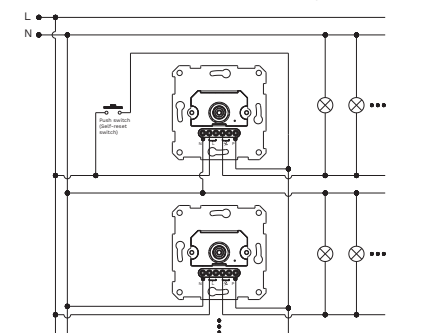
**5.3b.2.1 Multiple self-reset switches control one dimmer**



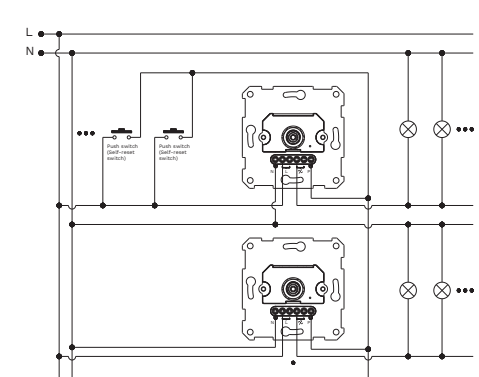
**Note:**

- The dimmer must always be connected to the live side of the load to function properly.
- Multiple self-resetting switches can simultaneously control the up/down brightness and on/off functions of twenty dimmers
- Dimmers cannot be connected in parallel or in series in order to control the same load at two different locations

**5.3b.2.2 One self-reset switch controls multiple dimmers**

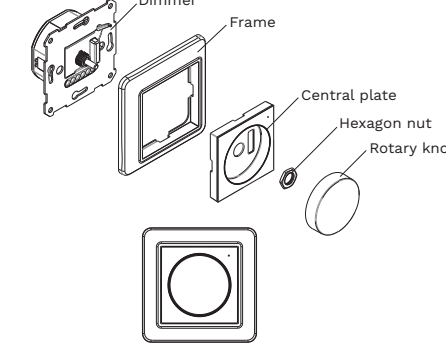
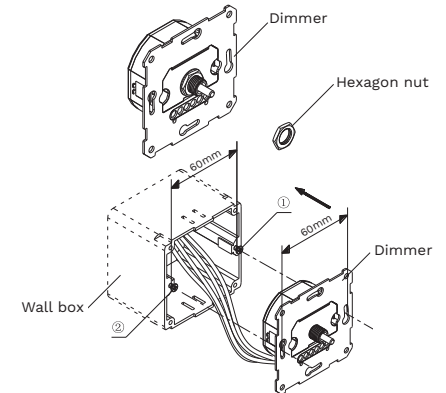


**5.3b.2.3 Multiple self-reset switches control multi-way dimmers**



**INSTALLING THE DIMMER**

- The product is divided into dimmer, and hexagon nut for fastening the central plate.
- Align the screw hole ① and place the dimmer in the wall box and secure it, then install and secure the frame, central plate, hexagon nut and rotary button in turn.



**6 INSTRUCTIONS**

**Functional Instructions**

**Short press:** < 0.5 seconds  
**Repeated short press:** The interval between two short presses is < 1 second

**1-WAY FUNCTION TABLE**

FUNCTION	DIMMER OPERATION	DIMMER OPERATION	APP
Network Mode	Repeated short press the switch seven times	✓	✗
Turn on/off	One short press	✓	✓
Dimming	Turn the rotary	✓	✓
Quick to Max. brightness	Repeated short press the switch twice	✓	✓
Setting the min. brightness	Repeated short press the switch six times	✓	✗
Setting the Max. brightness	Repeated short press the switch eight times	✓	✗
Clear the <in. or Max. brightness	Repeated short press the switch nine times	✓	✗
Restore factory Settings	Repeated short press the switch ten times	✓	✗
Timer on/off	No	✗	✓
Share device	No	✗	✓
Group control	No	✗	✓

**3-WAY FUNCTION TABLE**

FUNCTION	DIMMER OPERATION	SELF-RESET SWITCH OPERATION	APP
Network Mode	Repeated short press the switch seven times	✓	✗
Turn on/off	Repeated short press the switch once	✓	✓
Dimming	Turn the rotary	✓	✓
Quick to Max. brightness	Repeated short press the switch twice	✓	✓
Setting the Min. brightness	Repeated short press the switch six times.	✓	✗
Setting the Max. brightness	Repeated short press the switch eight times.	✓	✗
Clear the Min. or Max. brightness	Repeated short press the switch nine times	✓	✗
Restore factory Settings	Repeated short press the switch ten times.	✓	✗
Timing on/off	No	✗	✓
Share device	No	✗	✓
Group control	No	✗	✓

**PRIORITY**

Using the dimmer will prevent the app from functioning. The app and dimmer can not be in use at the same time.

**7 TROUBLESHOOTING**

PROBLEM	POSSIBLE CAUSE	SOLUTION
Lights flickering	Bulb has a bad connection	Reconnection
	Dimmer connected to multiple types of bulb causing interference and flickering	Change bulbs to same type
Dimming LED or CFL flickers at low end of dimming range	Poor compatibility	Turn up lamp minimum brightness properly
The bulb does not work	Circuit breaker has tripped	Return the power
	Fuse burn out	Change fuse
	Bulb burned out	Change bulb
	Bad connection	Check connection