

Danfoss Living Connect, Electronic Radiator Thermostat (NQ-500-EU)



Technical Specifications:

Code numbers

Code no.	Adapter (included)	Language instructions
014G0001	Danfoss RA	UK/DE/DK/NL FR/PL/SE/FI
014G0002	Danfoss RA and K	UK/DE/DK/NL FR/PL/SE/FI
014G0003	Danfoss RA and K	UK/CZ/RU/TR HU/HR/SI/IT

Specification

Control system/input	Standard Z-Wave control units
Transmission frequency	Wireless Z-Wave/868.42 MHz
Transmission range	Up to 30 meters
Synchronizing	Every 5 minutes
Screen/display	Grey digital with backlit
Actuator type	Electromechanical
Software classification	A
Control	PID
Power supply	2x1.5V AA alkaline, class III (SELV)
Battery life	2 years
Low battery signal	Battery icon and alarm bell will flash in display. If the battery level is critical, the whole display will flash.
Ambient temperature	0 to 40°C
Transportation temperature range to	65°C
Temperature setting range	4 to 28°C
Recommended use	Residential
Open-window function	Yes
Size	RA: L: 91 mm Ø:51 mm/K: L78 mm Ø: 51 mm
Noise level	< 30 dBA
Weight incl. battery	177 g

Safety classification	Type 1
Mechanical strength	70 N (max. force from valve)
Maximum water temperature	90°C
Movement type	Linear
Spindle movement	2-3 mm on valve
Maximum extension	4.5 mm
Temperature sampling	Measures temperature every minute
Speed of adjustment	1 mm/s
Power consumption	3 mW in standby, 1.2 W when active
Ball pressure test	75°C
IP class*	20

* This thermostat should not be used in hazardous installations or in places where it will be exposed to water.

Accessories

Type	Code no.
RAV & RAVL adaptor	014G0250
RA adaptor	014G0251
K adaptor	014G0252
RTD adaptor	014G0253

Marking

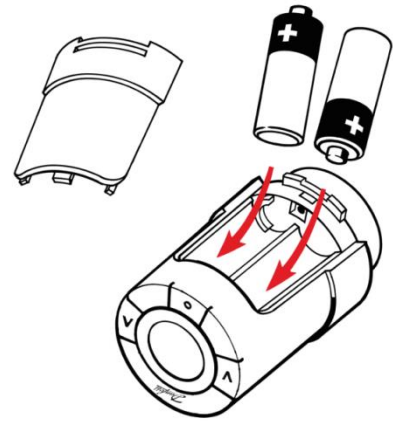


Installation

Danfoss living connect is supplied with adapters for Danfoss RA valves and valves with M30X1.5 (K) connections (014G0002), two alkaline AA batteries and a 2 mm Allen key.

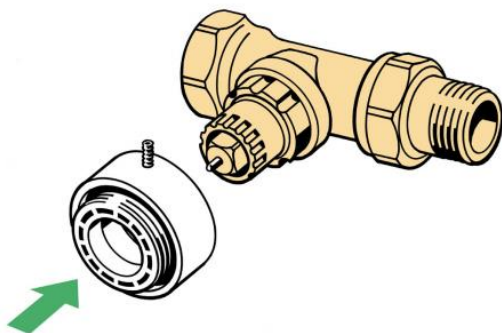
Inserting the batteries

Remove the battery cover and insert the two batteries. Ensure that the batteries are correctly inserted. M must flash on the display before installation.

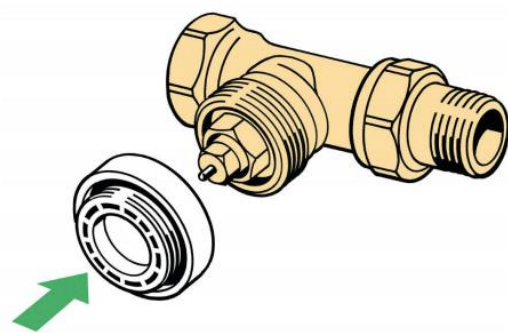


- Start by mounting the adapter.

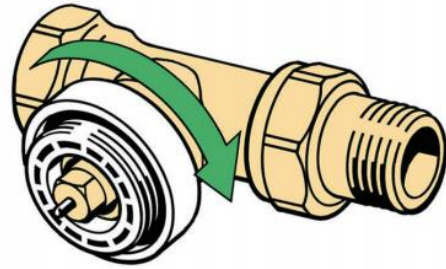
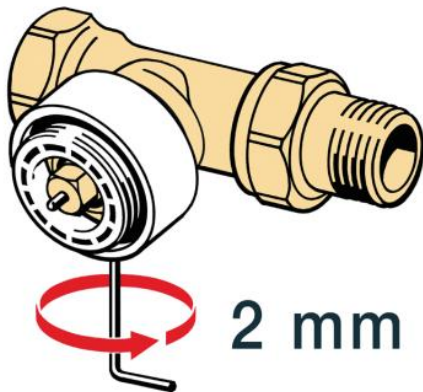
RA




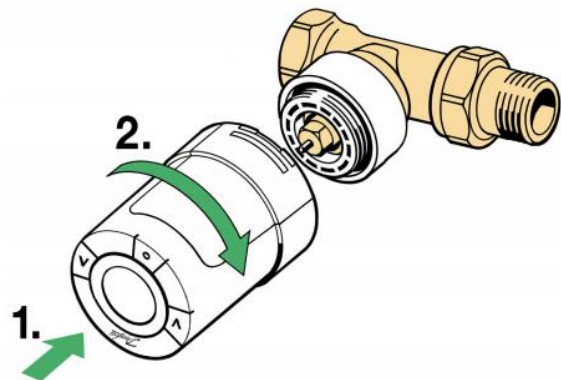
K



- Tighten the RA adapter using the Allen key. Tighten the K adapter by hand (max. 5 Nm).
- Screw the thermostat onto the adapter and hand-tighten (max. 5 Nm).

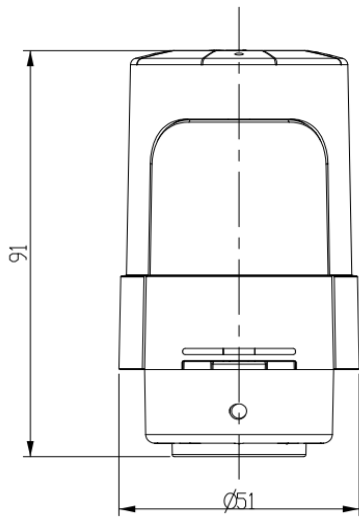


- Press and hold  for approx. 3 seconds to fix the thermostat.

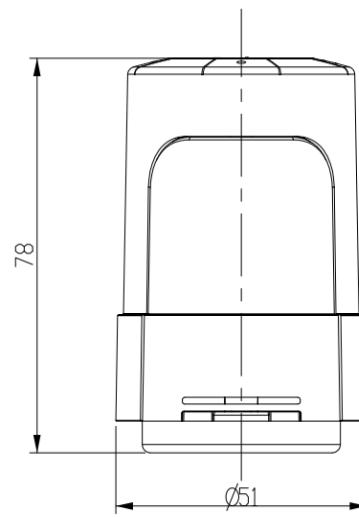


Dimension

RA



K



RAV/RAVL

